

auto electrical parts

Technical Information Sheet

Part No. 0-525-80

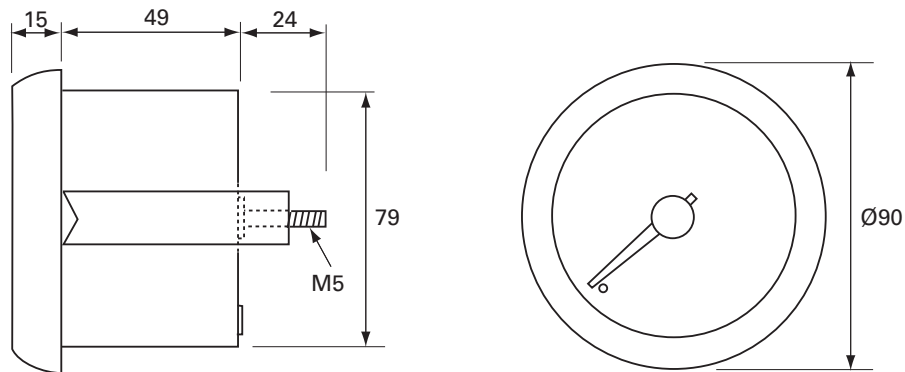
12/24 volt tachometer, 270° sweep dial, 0-8000rpm. For 4-6-8-12 cylinder engines with coil ignition. LED illumination, plastic cased with bridge type fitting.

Additional Information

Illumination white. Can be connected to positive earth vehicles.



Technical Drawing (not to scale)



Specification

Type	Panel mount marine tachometer
Voltage	12/24 volt DC
Scale	240° sweep, 0 - 8000rpm
Sensing	Ignition coil
Illumination	4 LED white
Cable length	420mm
Panel Cut out	80mm
Max panel depth	13mm
Protection	IP65 (front)
Weight	280g
Dimensions	See diagram

The information contained in this document is correct to the best of our knowledge at the time of printing. However, specifications may change at any time without notice.